

ESCom: Now and in the Future

Johannes Tolls

Content

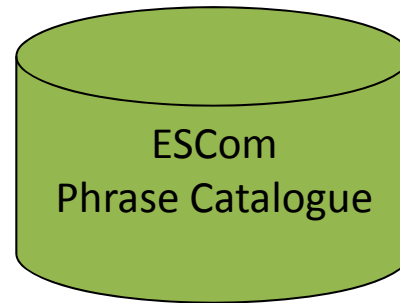
- **ESCom Current Activities**
- **ESCom vision: 2016 – 2022**

ES Communication: need for standardization

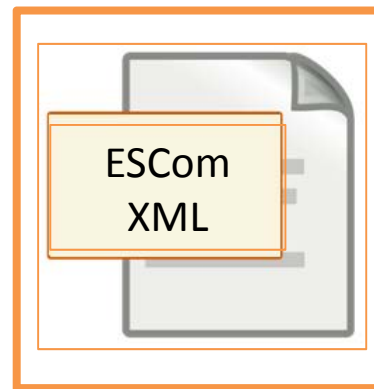
A reminder

To support the exchange of information via the ESs for communication along the supply chain, standardization is required at different levels:

- Wording



- Structure

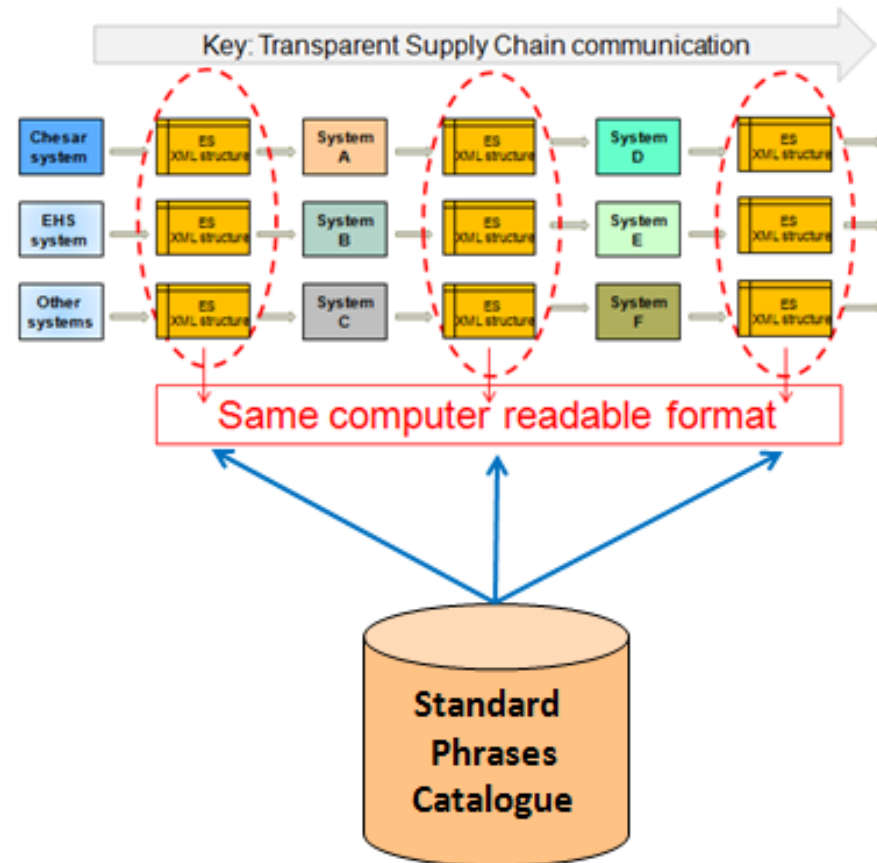


ESCom
Package

What is the ECom Package? A Reminder

- ECom XML standard:
 - An IT communication standard to harmonize ES data exchange between computer systems in the supply chain
 - Developed by IT providers in consultation with industry

- ECom Phrase Catalogue:
 - A catalogue with standard phrases for ESs for communication
 - Developed by industry sectors, associations and companies



ESCom Current Activities

- Standard Phrase Catalogue
 - Phrase submission tool - update
 - Targeted review of sector phrases / tool phrases
- ESCom XML Schema will remain stable for at least 2 years
 - Monitoring performance and feedback (to prepare for next update)
 - IT Providers are at various stages of the ESCOM XML 2.0 implementation

Content

- ECom Current Activities
- ECom vision: 2016 – 2022

ESCom Vision – Standardized Exchange of Product Safety Information in the Supply Chain

'Early adopters' (incl CHESAR) implement ESCom package.
Use of ESCOM phrases in 2018 registrations.

- Quantified benefits of ESCOM package
- Best practice processes for companies
- Improvement needs identified

Safety data sheet - Annex ESCom

'Early followers start implementing ESCom package

- ESCom standard phrases used in registrations and in ES's for communication
- Value of ESCom is widely recognized

SMEs start implementing ESCom package

- ESCom package is used extensively in supply chains

Package of SDS XML and phrase catalogue(s) are available

Safety data sheet - Body SDSCom

'Early adopters' start implementing SDSCom package

2016

2018

ESCom Sustainability
2020

2022

Turning vision into facts: 2016-2018

- Continuation of current setup is planned (i.e. cooperation of chemical industry and IT).
- Active promotion of ESCom (presentations, workshops, webinars, etc; refer to back up slides).
- Develop a 'business' payment model to make ESCOM self-sustaining as of 2018.
- Exchange experiences from ongoing implementation.

Glossary

CSA	Chemical Safety Assessment
CSR	Chemical Safety Report
DU	Downstream User
ECHA	European Chemicals Agency
ES	Exposure Scenario
ID	Identification number
LCS	Life Cycle Stage
M/I	Manufacturer/Importer
MoU	Memorandum of Understanding
SCED	Specific Consumer Exposure Determinant
SPERC	Specific Environmental Release Category
SWED	Specific Worker Exposures Determinant
SST	Structured Short Title
UD	Use Descriptor